



**MEMORANDUM**

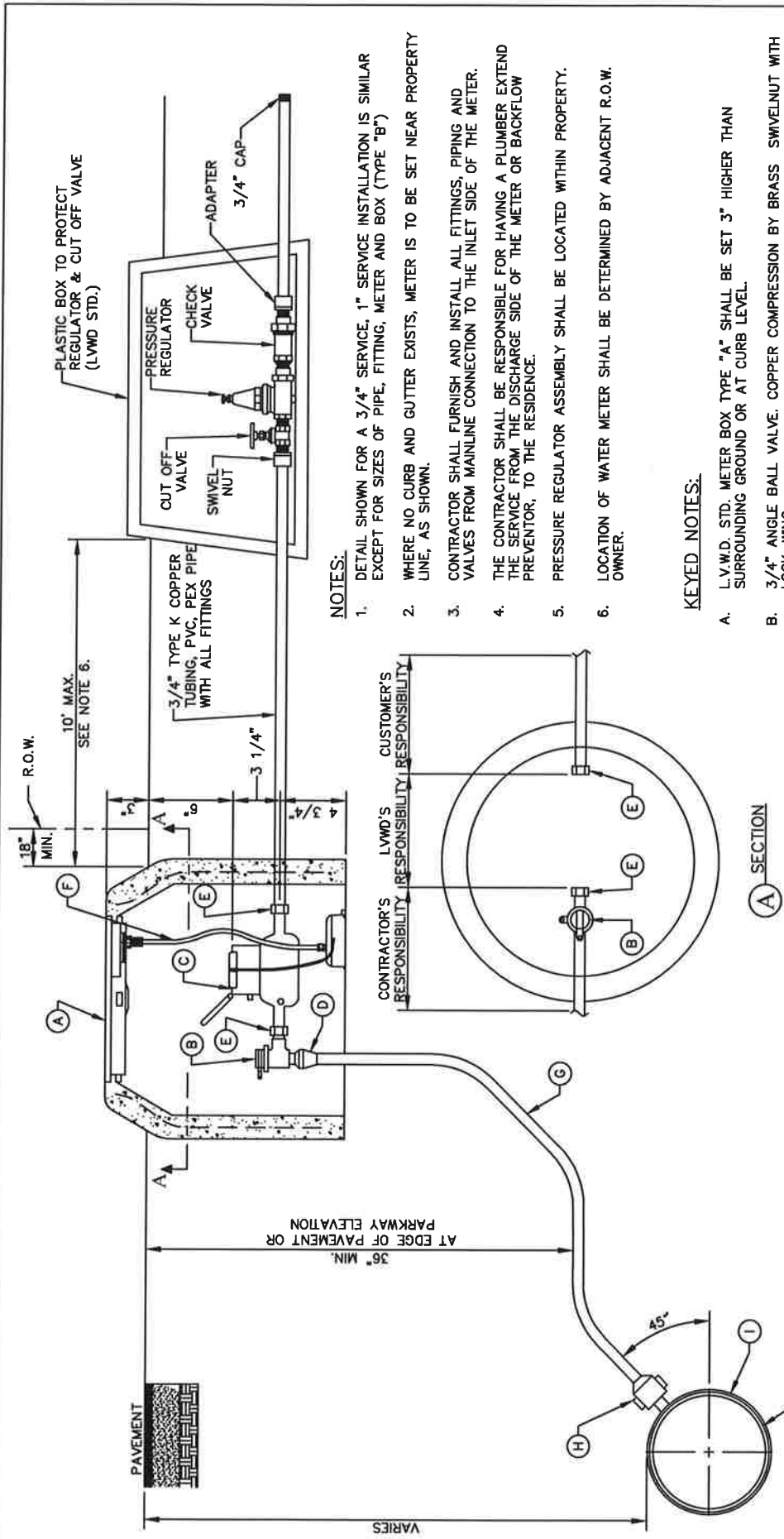
**TO:** Board of Directors  
**FROM:** Gerald Grijalva, General Manager  
**SUBJECT:** Discussion and Possible Action to Revise Detail No. 228  
  
**PRESENTER:** Daniel Hernandez  
  
**DATE:** September 23, 2021

---

The Engineering Department met to discuss revisions to Standard Detail No. 228 to prevent cross connection between the meter box and the customer plumbing fixture box. Standard Detail will reflect a maximum distance of 10 ft to avoid plumbing fixture box to be on the sidewalk or withing pedestrians walk path.

---

**ADMINISTRATIVE RECOMMENDATION:** The administration is recommending approval of proposal as presented



**NOTES:**

1. DETAIL SHOWN FOR A 3/4" SERVICE. 1" SERVICE INSTALLATION IS SIMILAR EXCEPT FOR SIZES OF PIPE, FITTING, METER AND BOX (TYPE "B")
2. WHERE NO CURB AND GUTTER EXISTS, METER IS TO BE SET NEAR PROPERTY LINE, AS SHOWN.
3. CONTRACTOR SHALL FURNISH AND INSTALL ALL FITTINGS, PIPING AND VALVES FROM MAINLINE CONNECTION TO THE INLET SIDE OF THE METER.
4. THE CONTRACTOR SHALL BE RESPONSIBLE FOR HAVING A PLUMBER EXTEND THE SERVICE FROM THE DISCHARGE SIDE OF THE METER OR BACKFLOW PREVENTOR, TO THE RESIDENCE.
5. PRESSURE REGULATOR ASSEMBLY SHALL BE LOCATED WITHIN PROPERTY.
6. LOCATION OF WATER METER SHALL BE DETERMINED BY ADJACENT R.O.W. OWNER.

**KEYED NOTES:**

- A. LVWD STD. METER BOX TYPE "A" SHALL BE SET 3" HIGHER THAN SURROUNDING GROUND OR AT CURB LEVEL.
- B. 3/4" ANGLE BALL VALVE. COPPER COMPRESSION BY BRASS SWIVELNUT WITH LOCK-WING.
- C. WATER METER TO BE INSTALLED BY LVWD. AN 8" GAP SHALL BE LEFT FOR METER INSTALLATION.
- D. COMPRESSION FITTING OF SERVICE LINE.
- E. INLET AND OUTLET COUPLING; CONTRACTOR'S AND CUSTOMER'S RESPONSIBILITY.
- F. TRANSPONDER.
- G. 3/4" (TYPE K) COPPER TUBING WITH COMPRESSION FITTINGS.
- H. 3/4" CORPORATION STOP, COMPRESSION X COMPRESSION.
- I. DOUBLE STRAP SERVICE SADDLE.

**THERMAL EXPANSION NOTES:**

1. THE INSTALLATION OF "NON-RETURN DEVICES" SUCH AS BACKFLOW PREVENTION ASSEMBLIES, CHECK VALVES, DUAL CHECK VALVES, PRESSURE REDUCING OR PRESSURE REGULATING VALVES, AND WATER SOFTENERS BETWEEN THE WATER SERVICE CONNECTION AND THE DOMESTIC WATER HEATER MAY CREATE A "CLOSED DOMESTIC POTABLE WATER SYSTEM" PREVENTING PRESSURE RELIEF THROUGH THE BUILDING SUPPLY.
2. A UPC LISTED THERMAL EXPANSION TANK SHALL BE INSTALLED BETWEEN THE "NON-RETURN DEVICE" AND THE WATER STORAGE TANK HEATED BY INDIRECT MEANS AND HEAT INPUT LIMITED TO 200,000 BTU/HR. WATER TEMPERATURE LIMITED TO 210°F, AND WATER CAPACITY THAT DOES NOT EXCEED 120 GALLONS.

STANDARD  
DETAIL

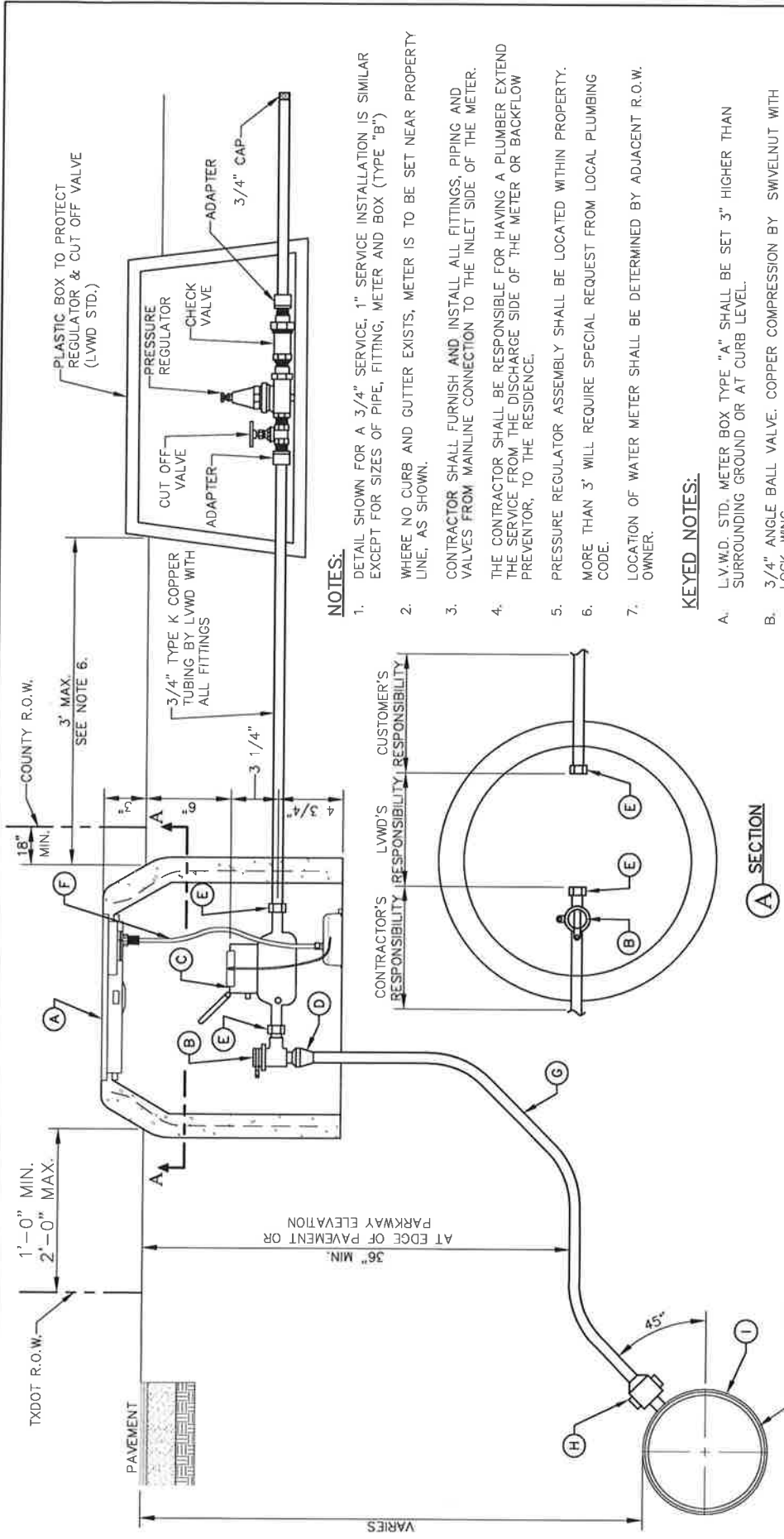
DATE: APR. 2005  
REV: SEPT. 2021

SERVICE LINE 3/4" & 1" INSTALLATION

SCALE: N.T.S.



DETAIL NO.  
228



**KEYED NOTES:**

1. DETAIL SHOWN FOR A 3/4" SERVICE, 1" SERVICE INSTALLATION IS SIMILAR EXCEPT FOR SIZES OF PIPE, FITTING, METER AND BOX (TYPE "B")
2. WHERE NO CURB AND GUTTER EXISTS, METER IS TO BE SET NEAR PROPERTY LINE, AS SHOWN.
3. CONTRACTOR SHALL FURNISH AND INSTALL ALL FITTINGS, PIPING AND VALVES FROM MAINLINE CONNECTION TO THE INLET SIDE OF THE METER.
4. THE CONTRACTOR SHALL BE RESPONSIBLE FOR HAVING A PLUMBER EXTEND THE SERVICE FROM THE DISCHARGE SIDE OF THE METER OR BACKFLOW PREVENTOR, TO THE RESIDENCE.
5. PRESSURE REGULATOR ASSEMBLY SHALL BE LOCATED WITHIN PROPERTY.
6. MORE THAN 3' WILL REQUIRE SPECIAL REQUEST FROM LOCAL PLUMBING CODE.
7. LOCATION OF WATER METER SHALL BE DETERMINED BY ADJACENT R.O.W.

**KEYED NOTES:**

- A. L.V.W.D. STD. METER BOX TYPE "A" SHALL BE SET 3" HIGHER THAN SURROUNDING GROUND OR AT CURB LEVEL.
- B. 3/4" ANGLE BALL VALVE. COPPER COMPRESSION BY SWIVELNUT WITH LOCK-WING.
- C. WATER METER TO BE INSTALLED BY LWWD. AN 8" GAP SHALL BE LEFT FOR METER INSTALLATION.
- D. COMPRESSION FITTING OF SERVICE LINE.
- E. INLET AND OUTLET COUPLING; CONTRACTOR'S AND CUSTOMER'S RESPONSIBILITY.
- F. NEPTUNE R9000 TRANSPONDER.
- G. 3/4" (TYPE K) COPPER TUBING WITH COMPRESSION FITTINGS.
- H. 3/4" CORPORATION STOP, COMPRESSION X COMPRESSION.
- I. DOUBLE STRAP SERVICE SADDLE.

**THERMAL EXPANSION NOTES:**

1. THE INSTALLATION OF "NON-RETURN DEVICES" SUCH AS BACKFLOW PREVENTION ASSEMBLIES, CHECK VALVES, DUAL CHECK VALVES, PRESSURE REDUCING OR PRESSURE REGULATING VALVES, AND WATER SOFTENERS BETWEEN THE WATER SERVICE CONNECTION AND THE DOMESTIC WATER HEATER MAY CREATE A "CLOSED DOMESTIC POTABLE WATER SYSTEM" PREVENTING PRESSURE RELIEF THROUGH THE BUILDING SUPPLY.
2. A UPC LISTED THERMAL EXPANSION TANK SHALL BE INSTALLED BETWEEN THE "NON-RETURN DEVICE" AND THE WATER STORAGE TANK HEATED BY INDIRECT MEANS AND HEAT INPUT LIMITED TO 200,000 BTU/HR, WATER TEMPERATURE LIMITED TO 210°F, AND WATER CAPACITY THAT DOES NOT EXCEED 120 GALLONS.

|                            |   |  |   |
|----------------------------|---|--|---|
| <p>STANDARD<br/>DETAIL</p> | <p>DATE: APR. 2005<br/>REV: APR. 2017</p> | <p>SERVICE LINE 3/4" &amp; 1" INSTALLATION</p> | <p>SCALE: N.T.S.<br/>DETAIL NO. 228</p> |
|----------------------------|---|--|---|

