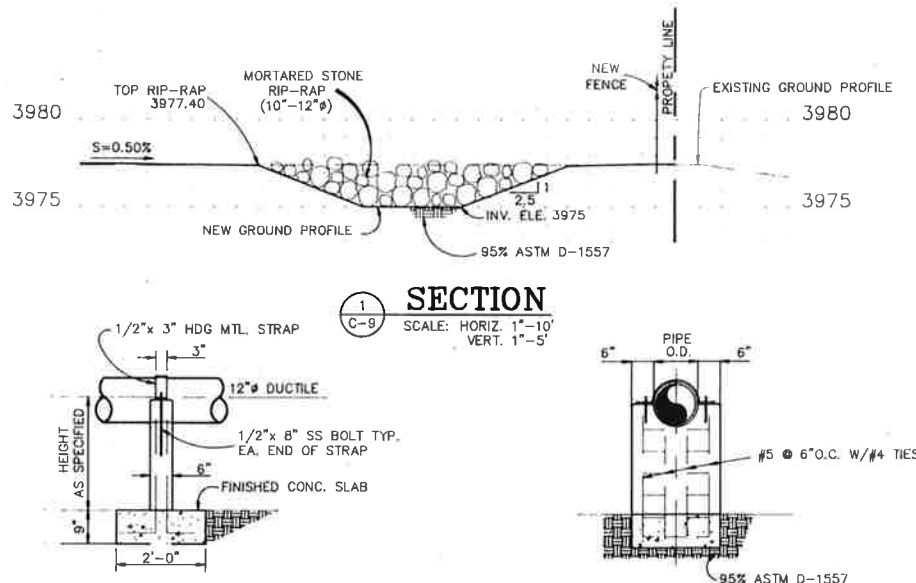
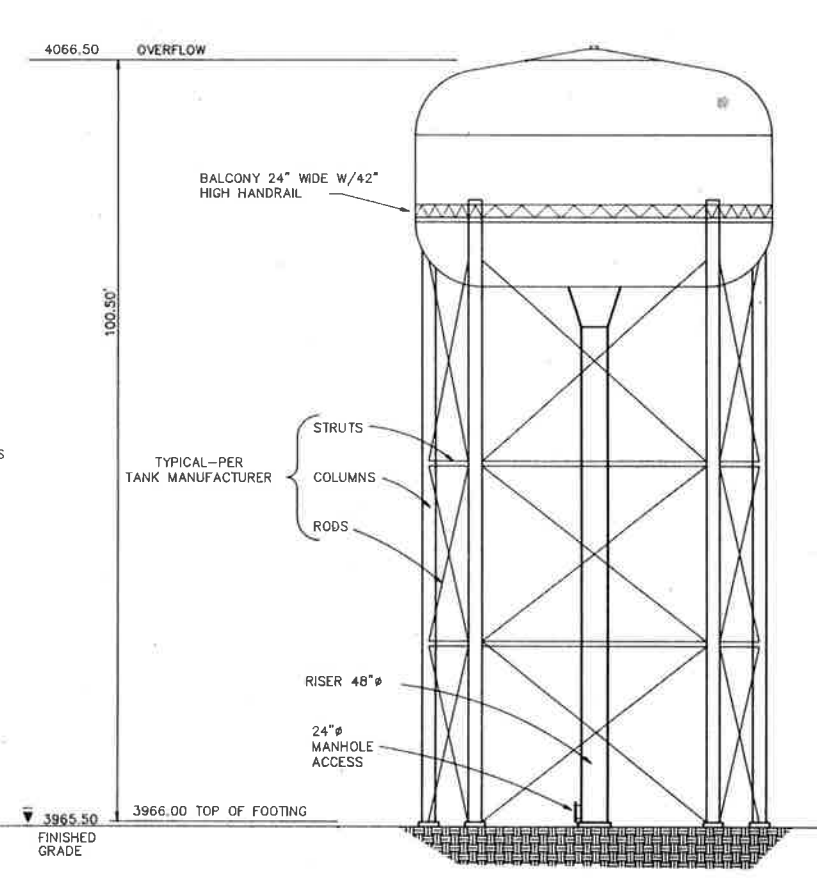


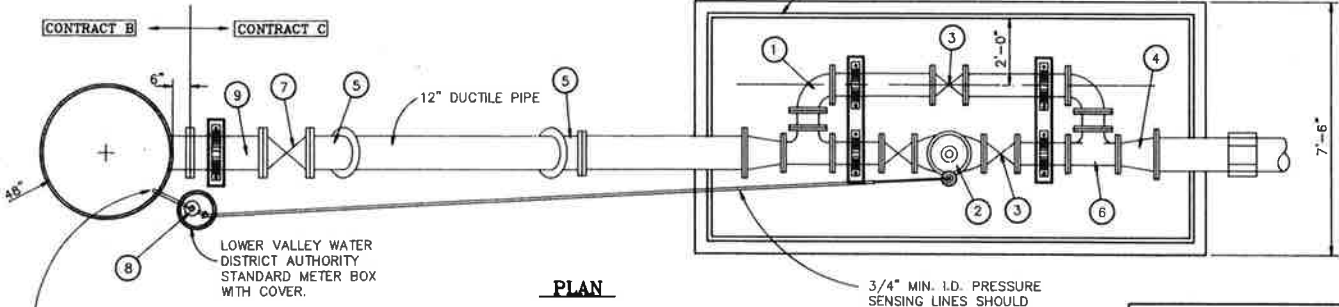
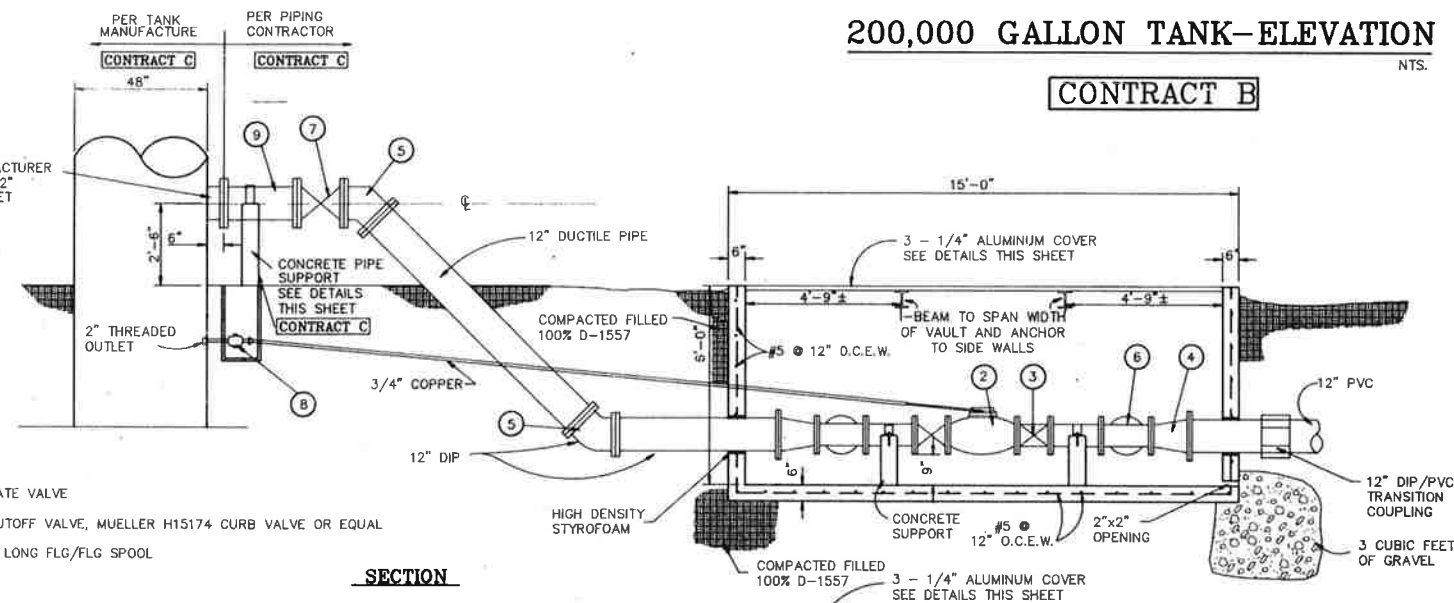
**ALTITUDE VALVE BOX COVER DETAILS**  
SCALE: 1/2" = 1'-0"



**CONCRETE PIPE SUPPORT**  
SCALE: 1/2" = 1'-0"



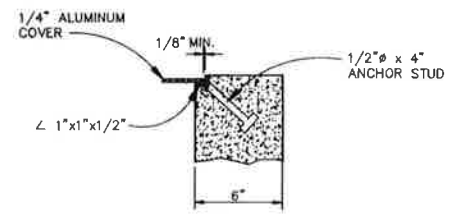
**200,000 GALLON TANK-ELEVATION**  
NTS.



**INLET LINE TIE-IN DETAIL**  
SCALE: 3/8" = 1'-0"

- 1 8" - 90° BEND
- 2 8" ALTITUDE VALVE
- 3 8" - GATE VALVE
- 4 12" x 8" REDUCER
- 5 12" - 45° BEND (FLGxFLG)
- 6 8" - TEE
- 7 12" - GATE VALVE
- 8 3/4" SHUTOFF VALVE, MUELLER H15174 CURB VALVE OR EQUAL
- 9 12" x 18" LONG FLG/FLG SPOOL

NOTE: ALL EXPOSED PIPING SHALL BE DUCTILE IRON PIPE



**ANCHOR STUD DETAIL**  
N.T.S.

REFERENCES - BENCHMARKS	DATE	BY
REVISIONS	DATE	BY
<b>Moreno Cardenas Inc. Engineers</b>		
ENVIRONMENTAL - LAND DEVELOPMENT		
CIVIL	2007 N. OREGON (915) 532-2091	EL PASO, TEXAS 79902 (915) 542-0307

**SPARKS SUBDIVISION**  
**200,000 GAL. ELEVATED STORAGE TANK**

SHEET NO. **C-9**

OF 13

**WARNING!**  
**BEFORE YOU DIG**  
CONTRACTOR SHALL FIELD LOCATE ALL EXISTING UNDERGROUND IMPROVEMENTS IN PROJECT AREA